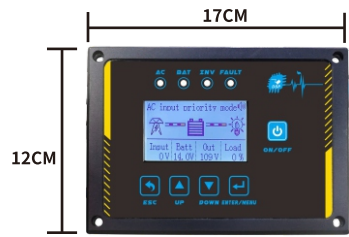


## Remote Control Panel For Inverter



### REMOTE SCREEN

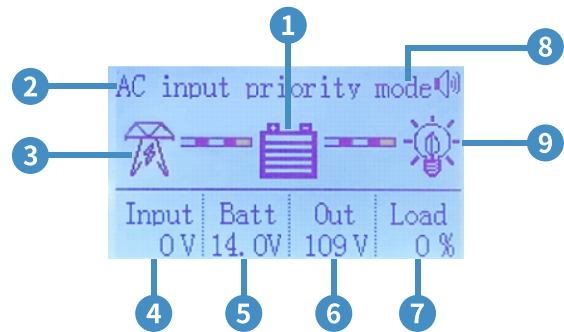
- Switching control of remote inverter
- HD LCD display with full viewing view of real-time data
- Various operating parameters on this control panel can be set
- Attached five meters long wire



Intelligent remote panel connection port



## LCD Display



1	Battery capacity, in Charging	2	AC input priority mode
3	AC input	4	AC Voltage, Current
5	Battery Voltage, Current	6	Out Voltage, Current
7	Load situation	8	Charging
9	Load		



## Inverter-BMS Communication

### Specific Functions of Inverter BMS:

- Battery Status Monitoring: Real-time SOC (State of Charge) estimation to prevent overcharge/overdischarge
- Charge/Discharge Control: Adjusts charge/discharge current based on battery status to extend battery lifespan
- Safety Protection: Includes overvoltage, undervoltage, overcurrent, short-circuit, and high/low-temperature protection

